

BUTTERFLY VALVE



SERIES N500N - N500S

NYLON 11 COATED DISC CF8M SS DISC

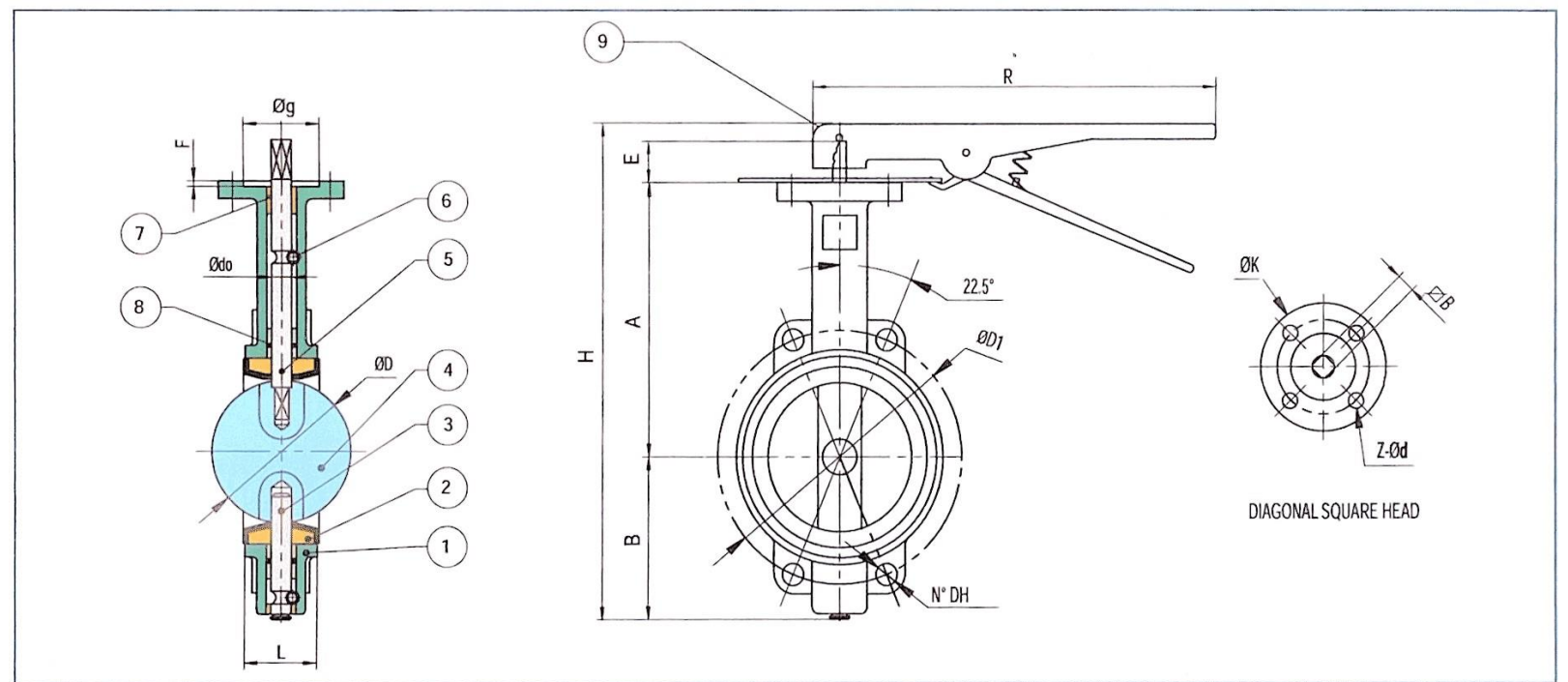
Manually operated Butterfly Valves (Actuator Available)

- • Epoxy coated cast iron body.
- • Sizes 1 1/2" to 12".
- • ISO 5211 direct mounting pad.
- • Food grade EPDM resilient seat -30°F to 250°F.
- • API609 face to face flange.
- • Floating dual shaft disc design.
- • Pressure rating: 250 psi water (40°F to 80° F).
- • MSS SP 67 compliant.
- • No pins in disc prevent potential leak points.
- • NSF certified for drinking water service (EPDM seats only).

530S: VITON SEATS.

540N-540S: BUNA-N SEATS.

BUTTERFLY VALVE



N POS	PART NAME	MATERIAL	N PCS	SIZE	ISO 5211	√B	A	B	L	ØD	E	H	R	Ødo	UPPER FLANGE				DISC ØD1	WAFER N°-DH	Weight Lbs	SEAT TORQUE				Cv (GPM@ 1psi)	
															ØK	Z-d	Øg	F				100 psi	200 psi	50% OP	100% OP	50% OP	100% OP
1	BODY	CAST IRON	1	1 1/2"	F05	9 mm	5.71	2.97	1.61	1.67	0.47	12.95	10.63	0.50	3.03	4-0.28	1.38	0.12	4.74	4-0.75	5.0	111	133	35	108		
2	SEAT	EPDM (30F to 250F)	1	2"	F05	9 mm	6.34	3.15	1.65	2.07	0.47	13.94	10.63	0.50	3.03	4-0.28	1.38	0.12	4.74	4-0.75	5.5	126	146	45	135		
3	LOWER SHAFT	SS 416	1	2 1/2"	F05	9 mm	6.89	3.50	1.76	2.54	0.47	15.04	10.63	0.50	3.03	4-0.28	1.38	0.12	5.49	4-0.75	7.1	134	167	65	220		
4	DISC 500N	IRON NYLON 11	1	3"	F05	9 mm	7.13	3.74	1.78	3.10	0.47	15.51	10.63	0.50	3.03	4-0.28	1.38	0.12	6.00	4-0.75	8.4	205	223	70	300		
	DISC 500S	STAINLESS STEEL		7.0	223	70	300																				
5	UPPER SHAFT	SS 416	1	4"	F07	11 mm	7.87	4.49	2.05	4.09	0.63	17	10.63	0.62	3.54	4-0.35	2.17	0.12	7.50	4-0.75	10.8	339	386	140	605		
6	LOCATING PIN	CARBON STEEL	1	5"	F07	14 mm	8.34	5.00	2.14	4.85	0.75	17.94	10.63	0.75	3.54	4-0.35	2.17	0.12	8.50	4-0.87	15.4	523	602	235	1010		
				6"	F07	14 mm	8.90	5.47	2.20	6.13	0.75	19.06	10.63	0.75	3.54	4-0.35	2.17	0.12	9.50	4-0.87	17.2	677	996	360	1620		
7	BUSHING	P.T.F.E.	1	8"	F10	17 mm	10.24	6.89	2.34	7.97	0.75	22.25	14.17	0.87	4.92	4-0.47	2.76	0.14	11.75	4-0.87	29.1	1205	1864	715	3205		
				10 ^{PS}	F10	22 mm	11.50	7.99	2.58	9.86	0.94	24.77	19.68	1.12	4.92	4-0.47	2.76	1.40	14.25	4-1.00	42.2	1890	3140	1225	5305		
9	LEVER	EPOXY-COATED CARBON STEEL	1	12 ^{PS}	F10	22 mm	13.27	9.53	3.03	11.87	0.94	28.31	19.68	1.24	5.51	4-0.47	2.76	1.40	17.00	4-1.00	71.5	2808	4767	1900	8250		

* 10" and 12" available in bare stem version only.

* Actuator Weight approx: 16 Lbs..